

READING NOOK BENCH WITH A BUILT IN BOOK CASE

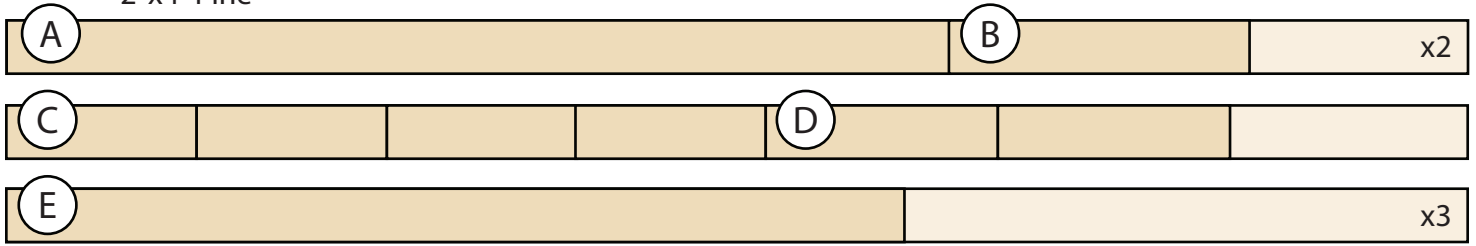
WWW.STUDIOGRAYHOUSE.COM

Materials	Qty
2"x4"x96" Pine board	6
1"x3"x96" Pine Furring Strip	4
1/4" x 4'x8' Plywood	1
1"x4"x96" Select Pine	2
3" Deck Screws	-
2-1/2" Pocket Hole Screws	-
2" Wood Screws	-
1" Finishing Nails	-
2" Finishing Nails	-
Wood Glue	-
Wood Filler	-

* Actual board thickness and width is less than the common name

Part	Qty	Part Name	Dimensions
A	2	Long Top Frame	1-1/2" x 3-1/2" x 62"
B	2	Short Top Frame	1-1/2" x 3-1/2" x 19-3/4"
C	4	Vertical Leg	1-1/2" x 3-1/2" x 12-1/2"
D	2	Horizontal Leg	1-1/2" x 3-1/2" x 15-1/4"
E	3	Top & Bottom Supports	1-1/2" x 3-1/2" x 59"
F	4	Inset Braces & Spacers	3/4" x 2-1/2" x 59"
G	1	Backing Board	1/4" x 16-3/4" x 59"
H	1	Base Board	1/4" x 8-1/4" x 59"
I	6	Slats	3/4" x 2-1/2" x 11-1/2"
J	1	Seat Panel	1/4" x 19-3/4" x 59"
K	2	Vertical Frame	3/4" x 2-1/2" x 11"
L	1	Top Horizontal Frame	3/4" x 3-1/2" x 62"
M	1	Bottom Horizontal Frame	3/4" x 2-1/2" x 62"

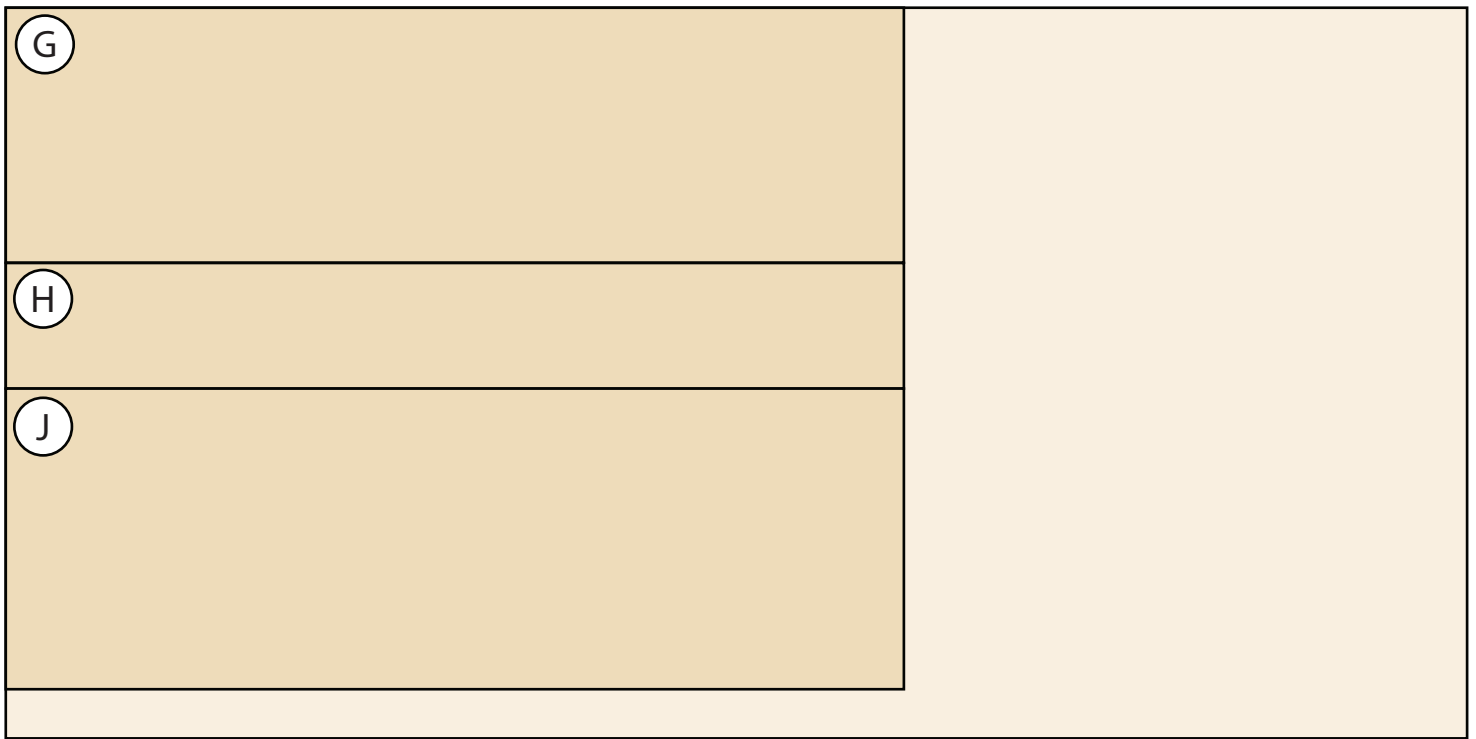
2"x4" Pine



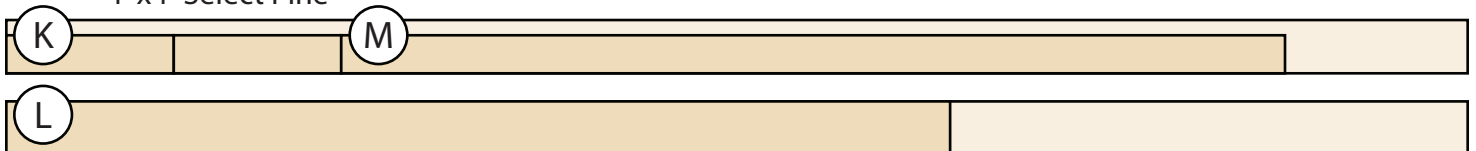
1"x3" Pine Furring Strip

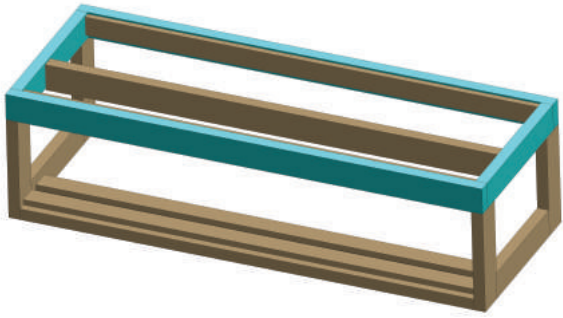


4'x8' Plywood



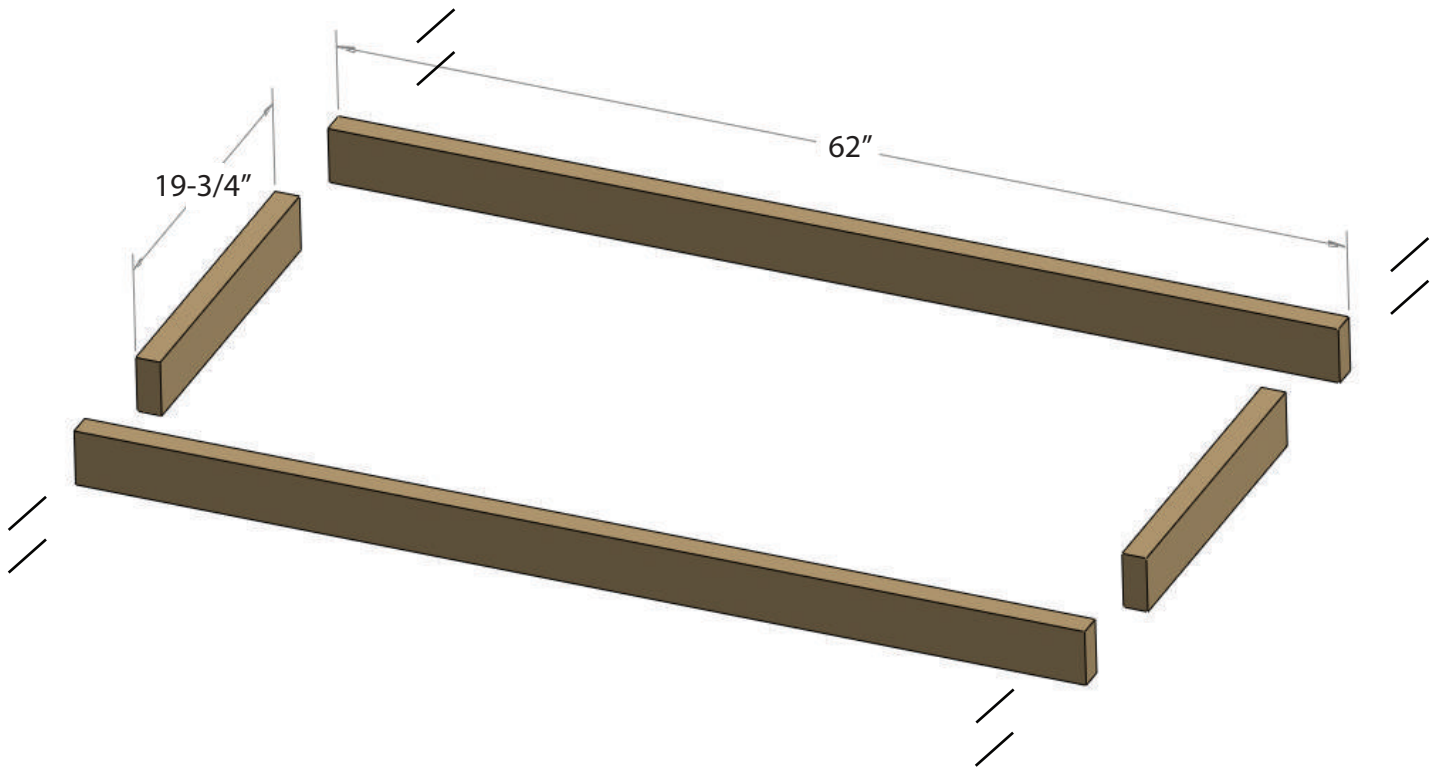
1"x4" Select Pine

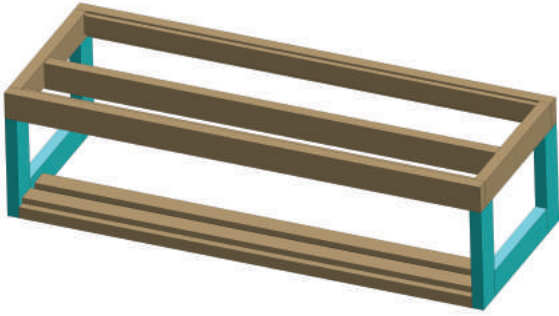




1. The top pieces of the frame should be cut to match your space. Our nook is 62 inches wide and 26-1/2 inches deep. Notice the smaller boards are cut 6-3/4 inches shorter than the nook is deep. This allows space for the front and back 2x4 as well as the decorative front frame.

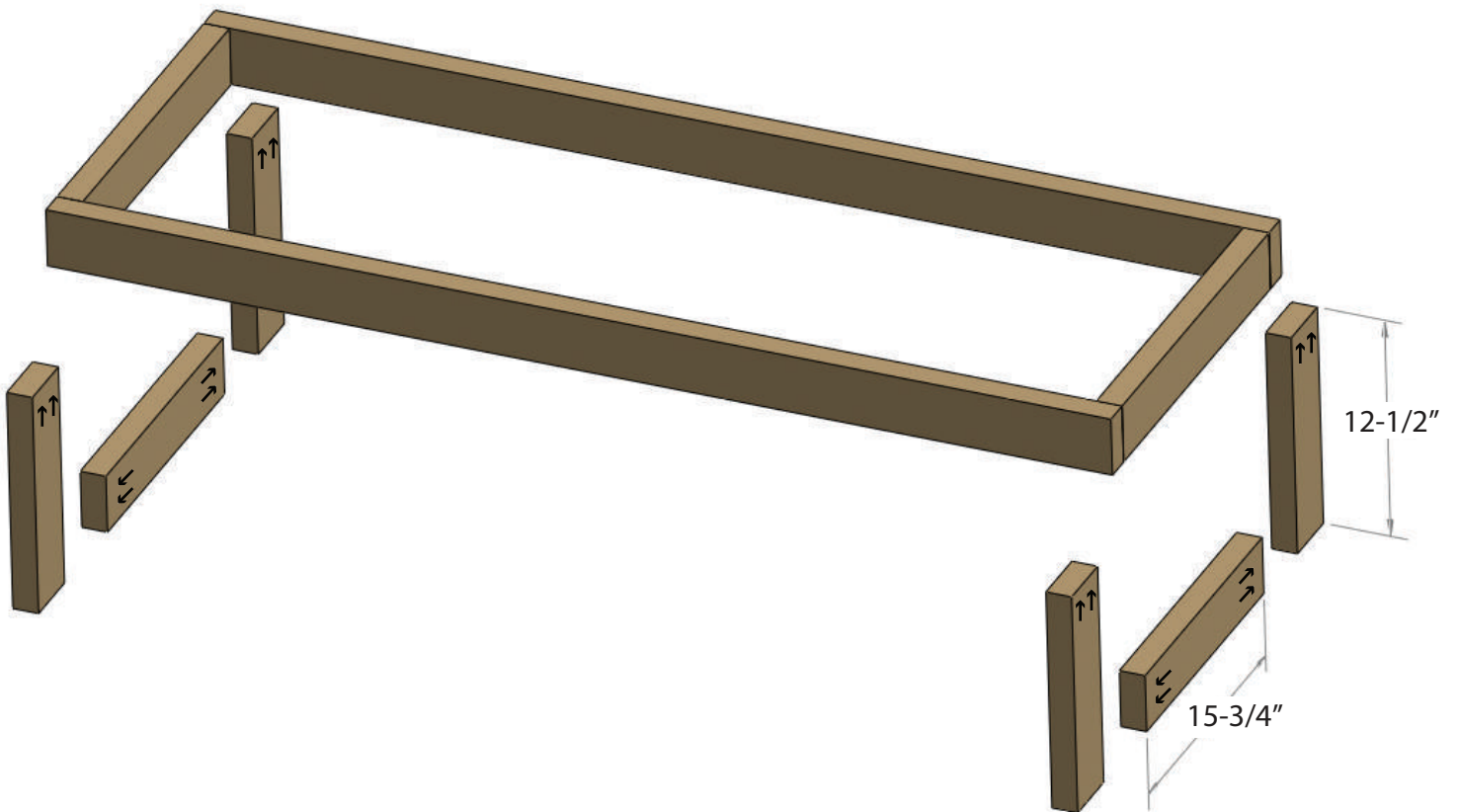
2. Use four 3 inch screws or nails to attach the top pieces of the frame together (A&B). To prevent the bench from squeaking down the road add some wood glue between the boards before securing.

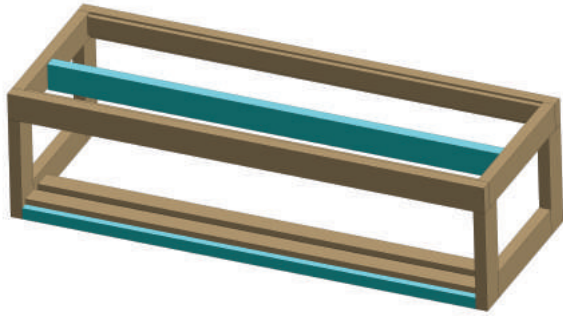




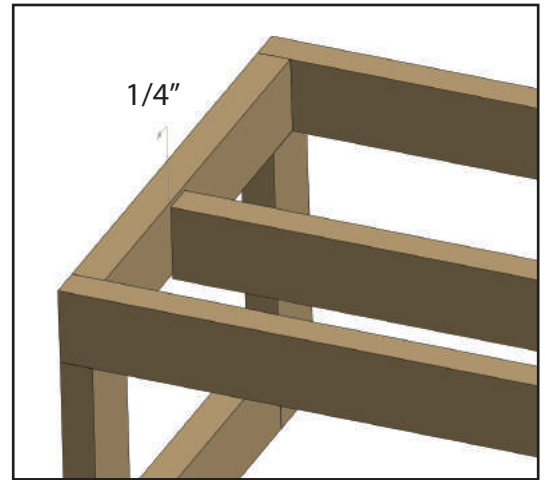
3. The leg assembly on each side of the bench is made of 2x4s screwed together with pocket hole screws.

4. Attach each leg assembly (C&D) to the bottom of the top frame with with pocket hole screws. Add some wood glue between the boards before securing.

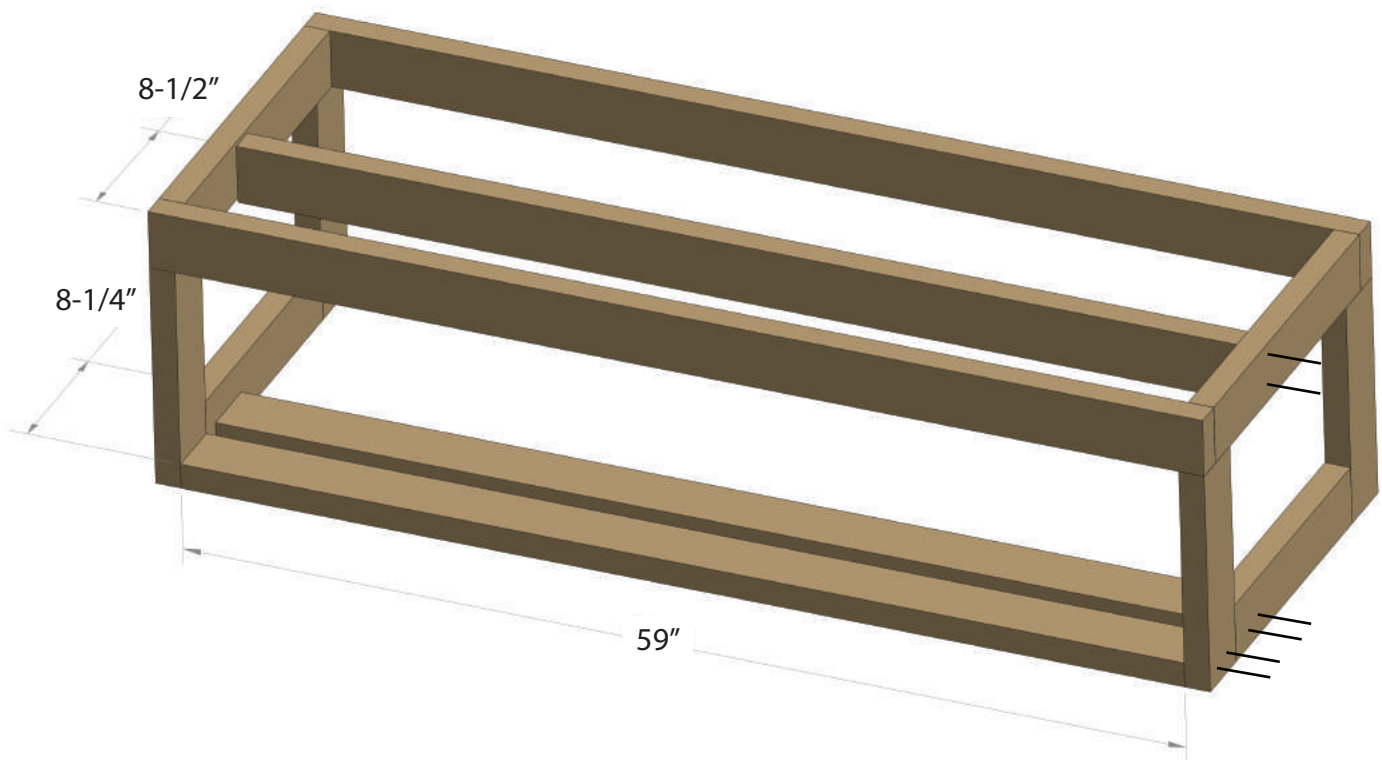


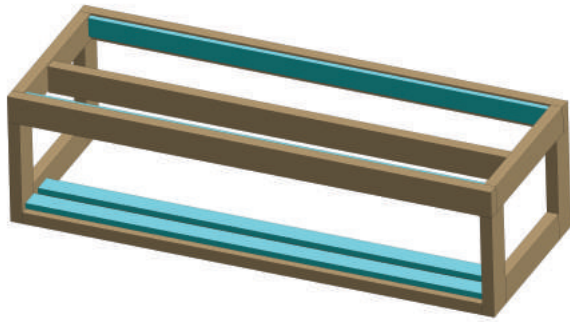


5. The top support should be recessed below the top of the bench 1/4 inch.

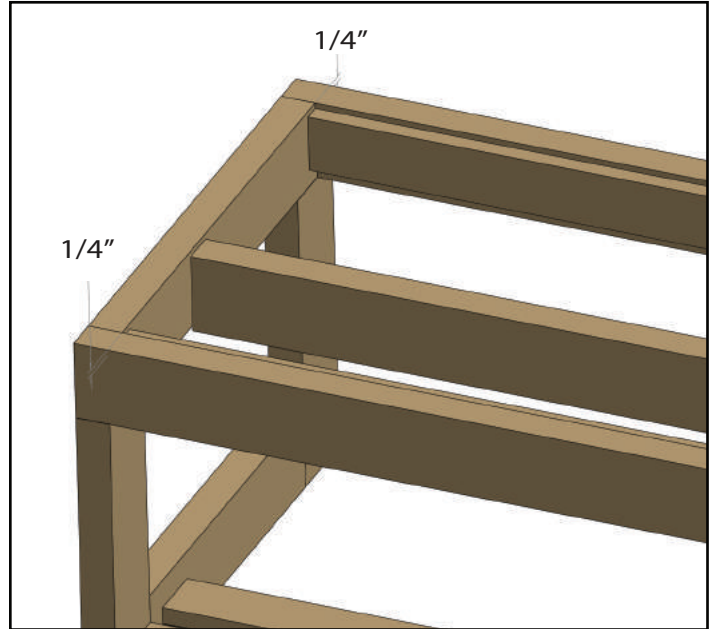


6. The front side of the top support (E) should be nailed 8-1/2 inches from the front of the bench. The two bottom supports should be nailed flush to the ground and the rear edge of the back support should be 8-1/4 inches from the front of the bench. Add some wood glue between the boards before securing.

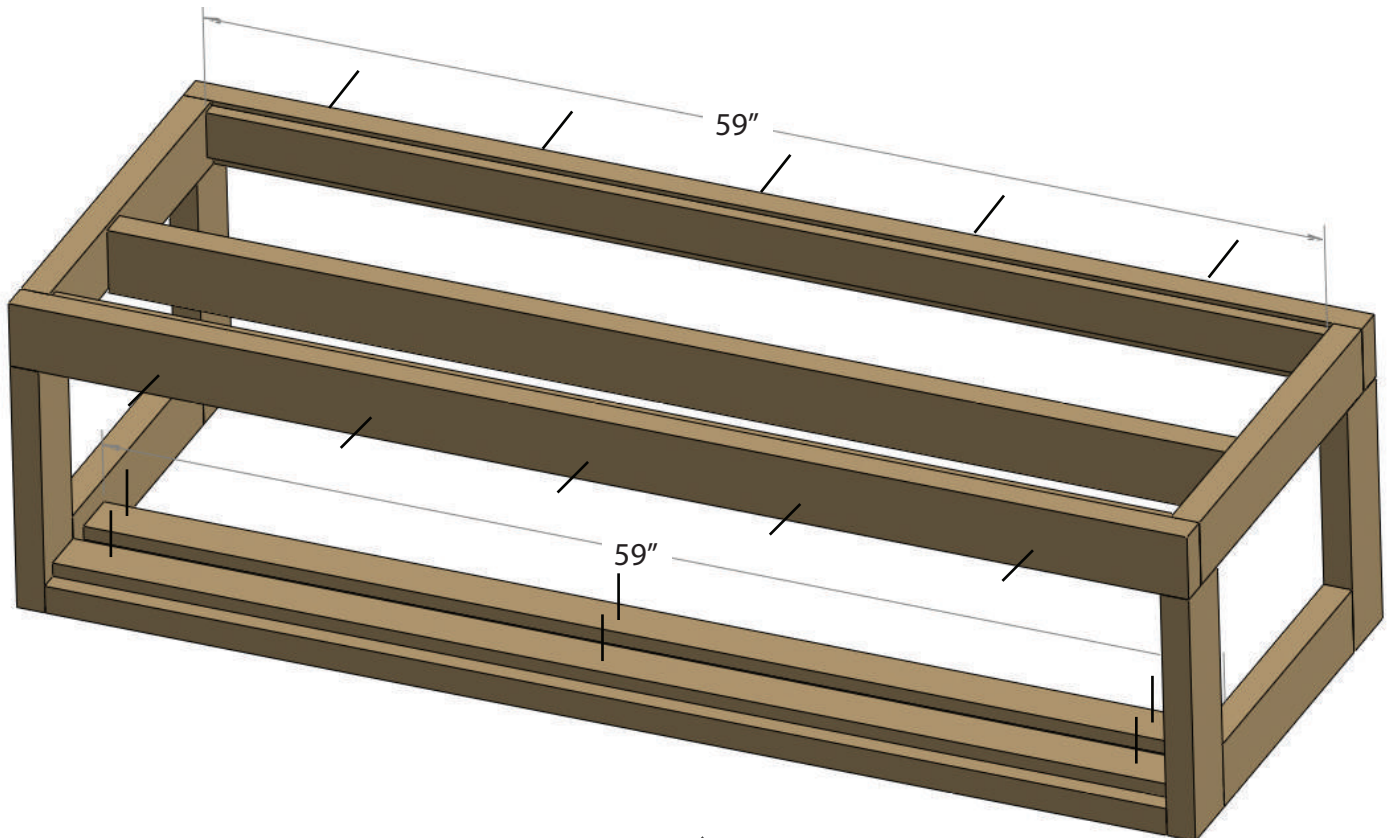


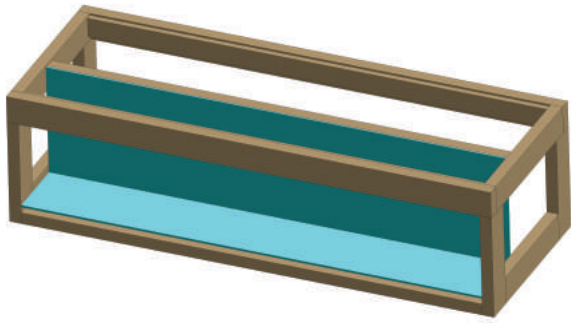


7. The front and back inset brace (F) should be recessed 1/4 inch.



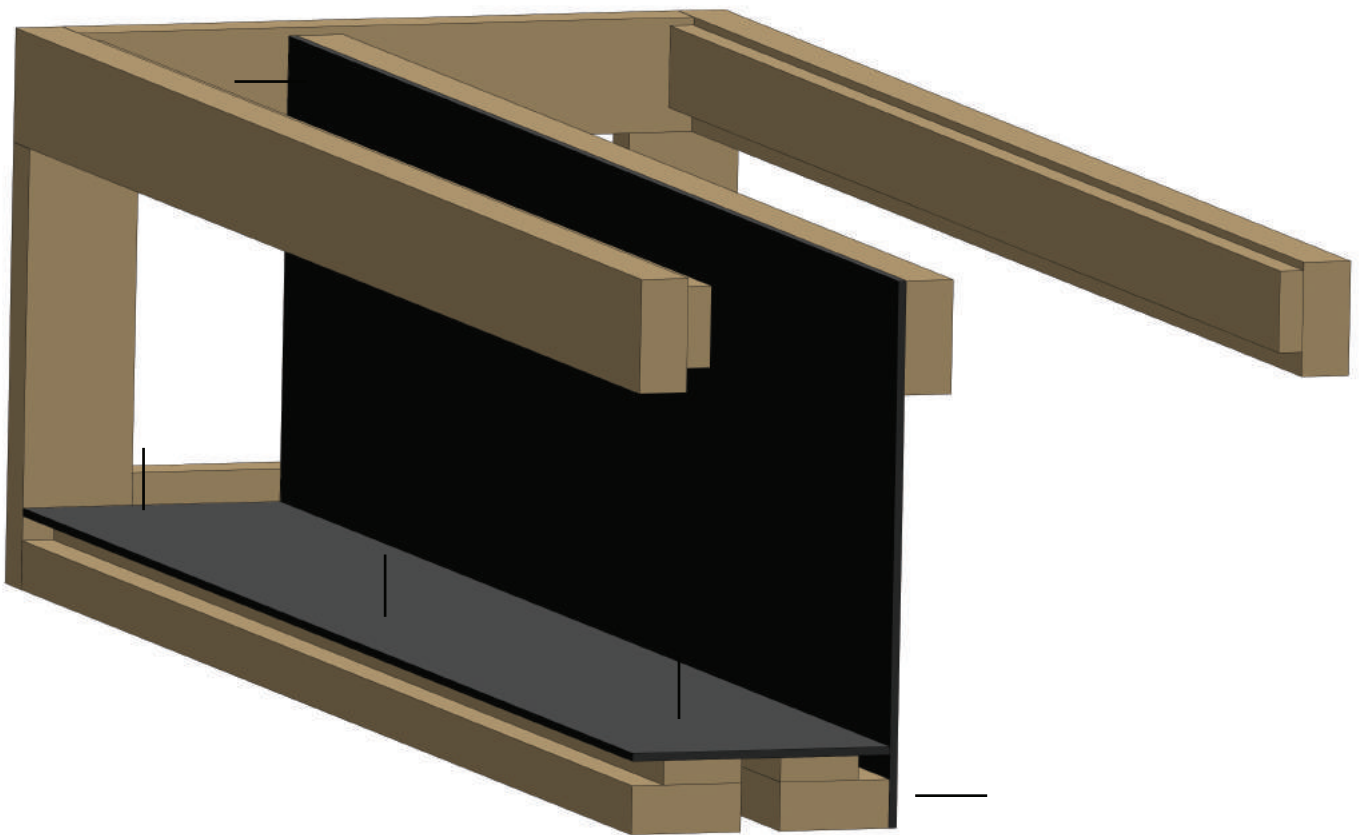
8. Before attaching the two inset braces (F) with 2 inch screws, add some wood glue between the braces (F) and the frame .

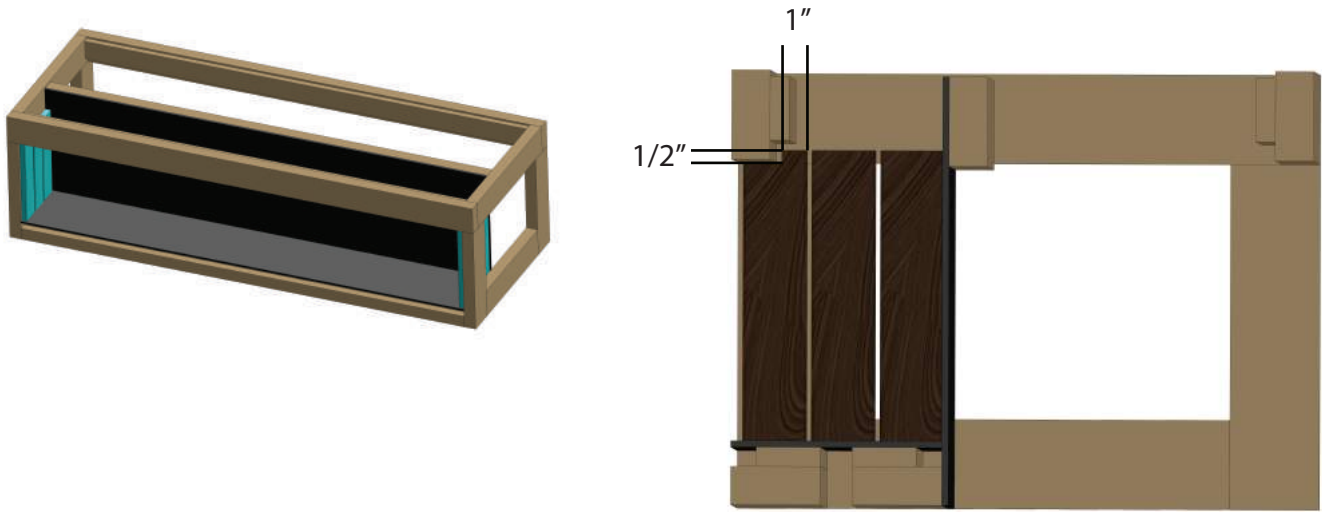




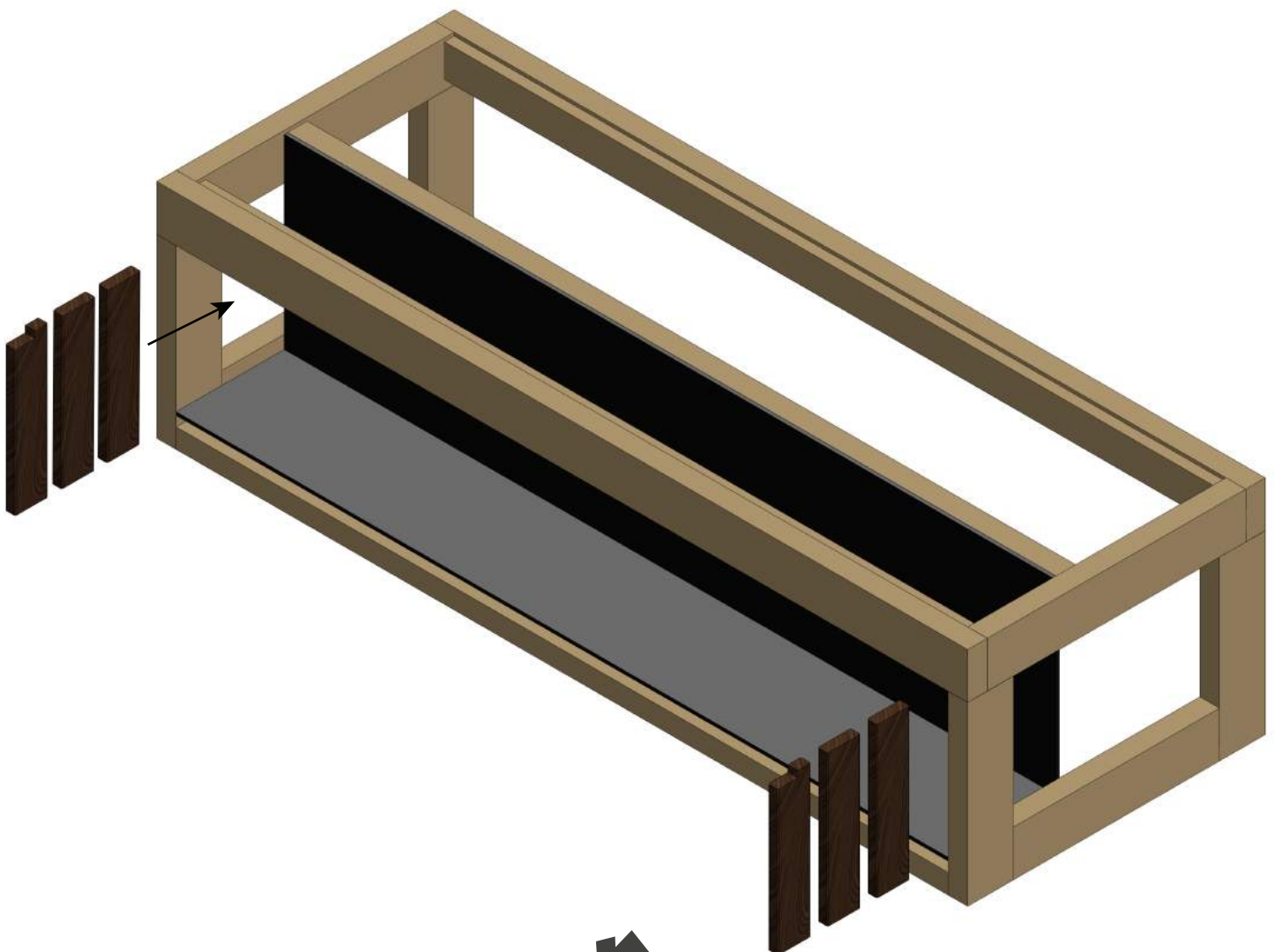
9. The backing board (G) of the bookshelf should connect to the front side of the top support and the back side of the bottom support. Use wood glue and 1 inch finishing nails to attach the backing board.

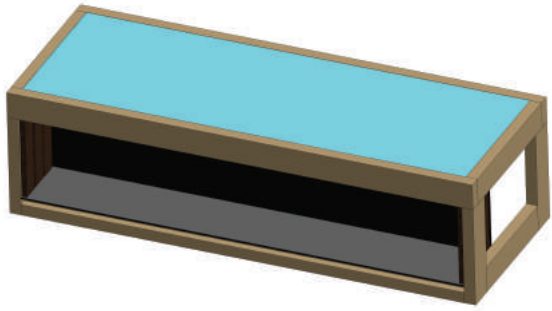
10. The base board (H) of the bookshelf should be flush with the front of the bench and touch the backing board of the bookshelf. Attach the base board to the spacer boards with wood glue and 1 inch finishing nails.



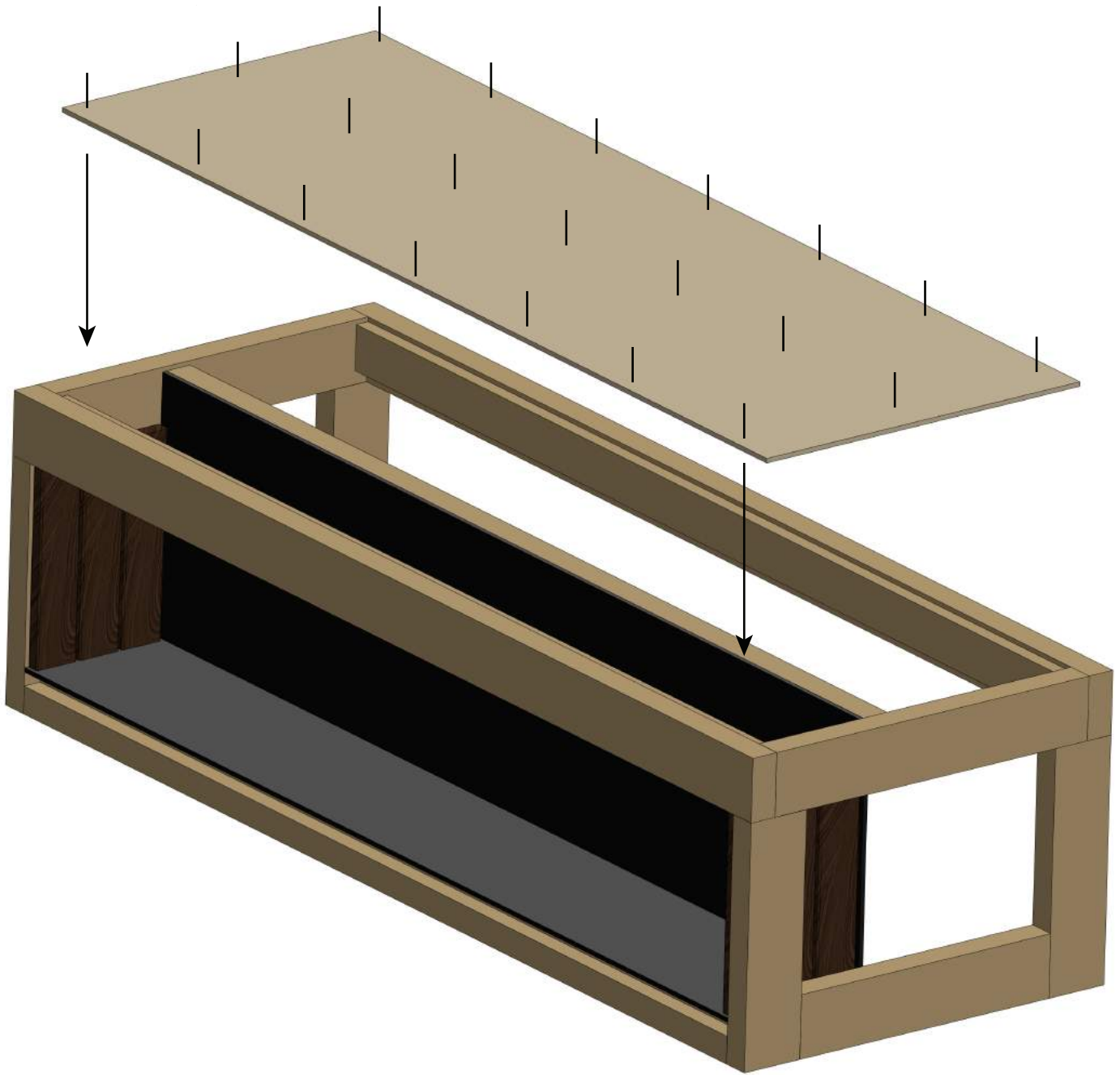


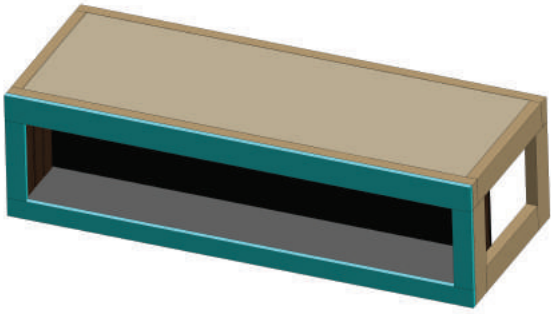
11. The bookshelf slats (I) should be secured with 2 inch finishing nails at the top and bottom of each slat. Above is a close-up of how the slats are placed in the bookshelf.





12. The seat panel should sit flush with the top of the bench and rest on the three recessed braces. Attach to each brace with wood glue and secure with 1 inch finishing nails.





13. Finally, with the bench assembled attach the decoartive frame (K, L, M) to the front of the bench with wood glue and 2 inch finishing nails. Tap the heads of the nails below the surface and fill the tiny holes with wood filler.

